



## CUSTOM WHEEL ORDER FORM

### FRONT WHEEL MEASUREMENT

L R

- 1. BACKSPACE MOUNTING FACE UNDER \_\_\_\_\_
- 2. FRONTSACE MOUNTING FACE OUT \_\_\_\_\_
- 3. CENTRE OF HUB TO OUTSIDE BRAKE \_\_\_\_\_
- 4. CALIPER OVERHANG PAST MOUNTING FACE \_\_\_\_\_
- 5. OVERALL HUB LENGTH \_\_\_\_\_
- 6. HUB DIAMETER \_\_\_\_\_

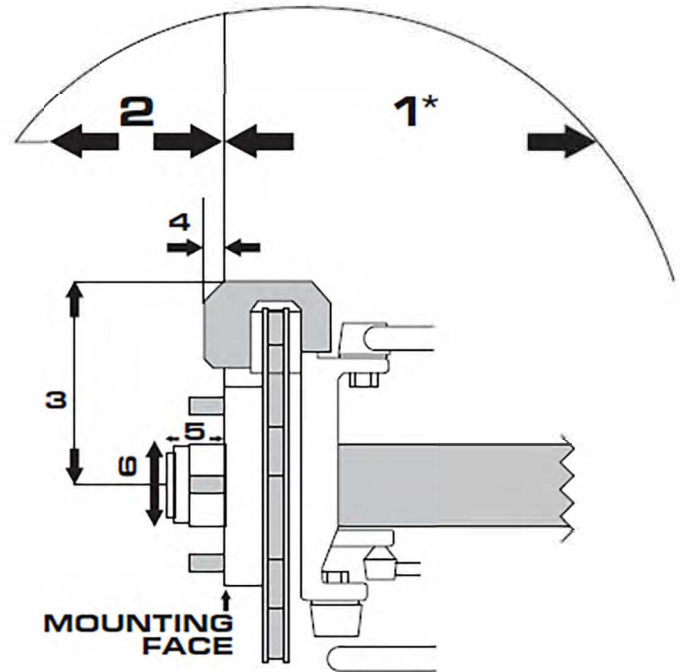
\*MEASUREMENT 1 & 2 SHOULD BE CALCULATED AT RIDE HEIGHT

### REAR WHEEL MEASUREMENT

L R

- 1. BACKSPACE MOUNTING FACE UNDER \_\_\_\_\_
- 2. FRONTSACE MOUNTING FACE OUT \_\_\_\_\_
- 3. CENTRE OF HUB TO OUTSIDE BRAKE \_\_\_\_\_
- 4. CALIPER OVERHANG PAST MOUNTING FACE \_\_\_\_\_
- 5. OVERALL HUB LENGTH \_\_\_\_\_
- 6. HUB DIAMETER \_\_\_\_\_

\*MEASUREMENT 1 & 2 SHOULD BE CALCULATED AT RIDE HEIGHT



\*Measure backspace to first point of contact look carefully up and down for the first point at the rear this is often leaf spring.

#### USEFUL TIP:

Wheels are 1 inch wider than the size suggests. For instance an 18x7 is actually 8 inches wide overall. Width wise, to fit an 18x7 you will need 8 inches for the wheel plus tyre bulge.

### NOTES:

\*WARNING: REMOVING AND REINSTALLING WHEELS CAN CAUSE SERIOUS ACCIDENTS AND/OR INJURIES. REFER TO THE OWNERS MANUAL FOR YOUR VEHICLE TO FIND THE CORECT WHEEL REMOVAL PROCEDURE. IN THE ABSENCE OF THE MANUAL, ONLY SOMEONE WITH WHEEL REMOVAL EXPERIENCE SHOULD REMOVE WHEELS USING A FLOOR JACK TO LIFT THE VEHICLE AND SUPPORTING JACK STANDS. ENSURE THE VEHICLE AND STANDS ARE ON A FLAT LEVEL SURFACE BEFORE COMMENCING.